

ProComm

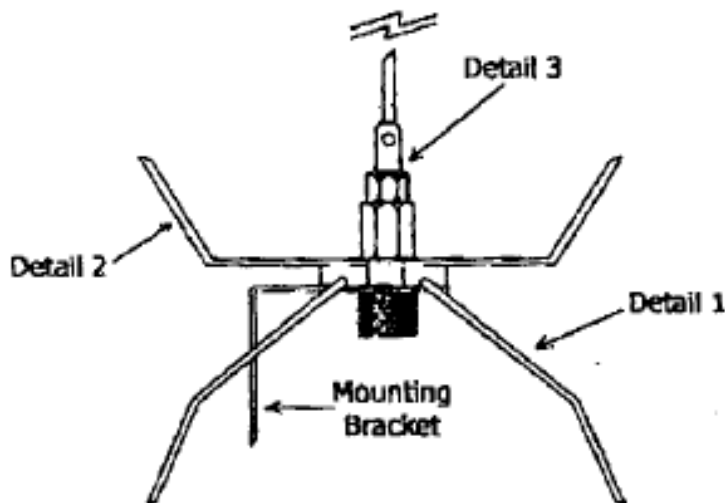
Installation Instructions

SPIDER

SCANNER BASE STATION ANTENNA

This antenna is not suitable for transmitting.

NOTE: Follow these instructions closely for optimum performance.



1. Insert the SO-239 stud connector through the 1/2" hole of the mounting bracket.

2. Place the black plastic compression washer over the 3/8x24 stud- then the 1 1/4"x3/8" stainless steel flat washer, followed by the chrome coupler nut. Do not tighten this assembly.

3. **(Detail 1)** Insert the 4 - 18° 30° radials into the channels of the plastic compression washer located between the mounting bracket and the plastic washer, these radials should point straight down.

4. **(Detail 2)** Insert the 4 - 12° 45° radials into the channels of the plastic compression washer located between the plastic washer and the stainless steel flat washer. These radials should point up.

5. Tighten the chrome coupler nut to secure the radials to the plastic compression washer assembly. Check each radial to ensure security.

6. **(Detail 3)** Install the male chrome 3/8x24 whip ferrule to the chrome coupler nut and tighten. Then install the 24" stainless steel whip into the mounting ferrule. You may now tighten the set screw of the mounting ferrule to the 24" whip with the Allen wrench provided.

7. Install low loss 50 OHM cable with a PL259 connector to the SO239 connector. The suitable connector to mate with your scanner should be at the other end of the cable.

WARNING:

Installing antennas near power lines can be dangerous.